

PRIMUS MODEL 643

Vertical Form Fill Seal Machine



By General Packaging Equipment Co.

PRIMUS BY GENERAL

With today's economy you must maximize your productivity and minimize waste. The Primus 643 machine by General is designed to help you accomplish both goals in your packaging operation.

Features:

- High pressure seals
- Color touch screen interface with multiple language settings
- Easy adjustment of all operating timing functions and components
- Password protected memory
- Filler controls integrated into base machine controls
- Bag and case count with output case change
- Fault Indications
- Temperature indicators
- Optional Internet and LAN
- Multiple filler options

Size Ranges:

Pillow Pack Size Range Width:

Min.: 2.5" (64mm)

Max.: 14" (356mm)

Square Bottom Size Range:

Min.: 2" (50mm) Face x 1.25" (32mm) Side

Max.: 9" (230mm) Face X 5" (127mm) Side

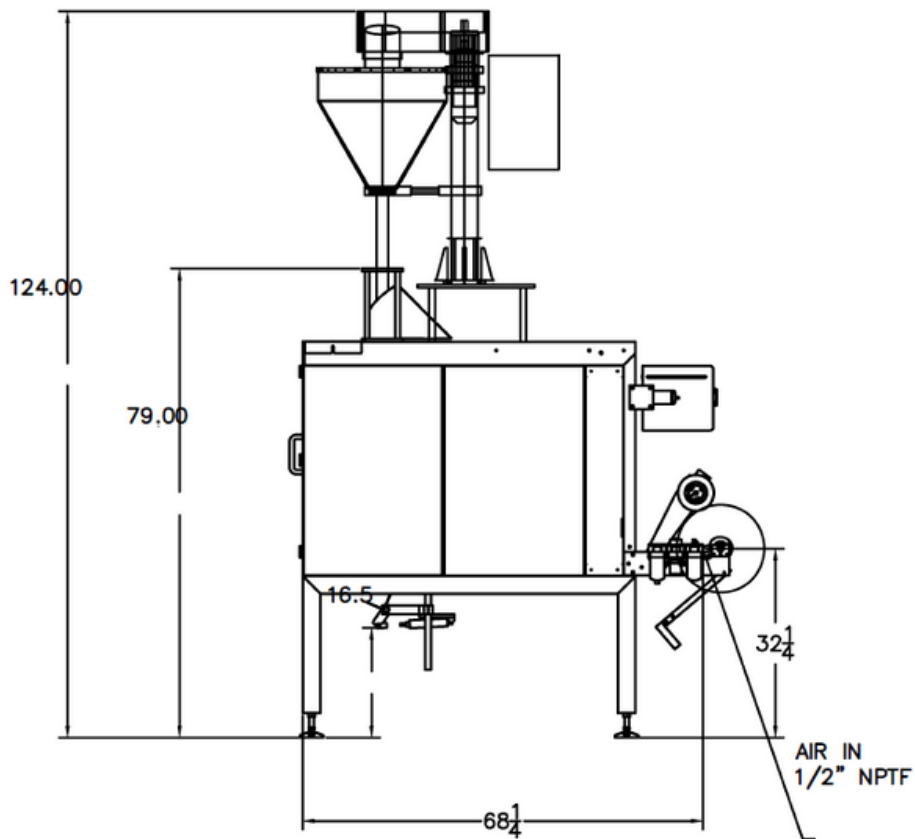
Length:

Up to 22" (560mm) Long

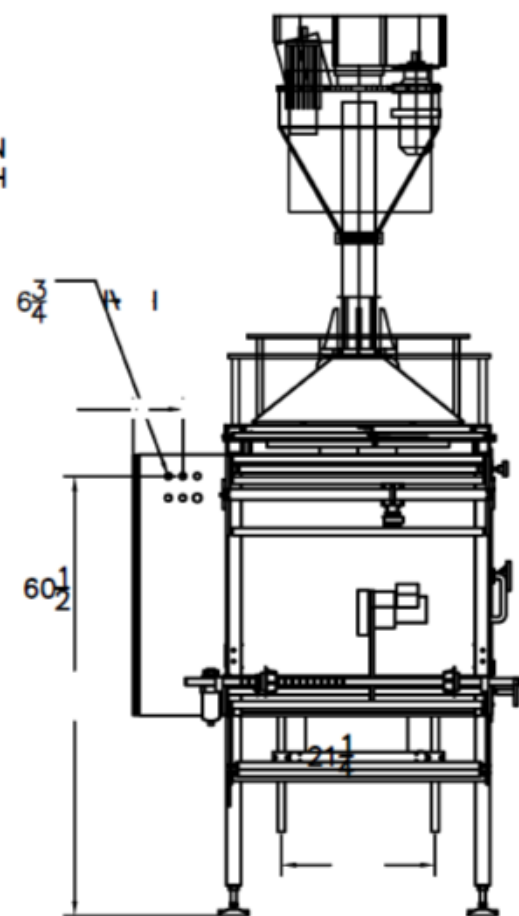
[Click here for a more in-depth look at this machine!](#)



PRIMUS DIMENSIONS WITH AUGER FILLER



POWER IN
220V 60HZ 3PH



General Packaging Equipment Co.
6048 Westview Dr. Houston, TX 77055
Tel: (713)-686-4331
www.generalpackaging.com
email: sales@generalpackaging.com